

IP HORN SPEAKER

IP-A1SC15

Thank you for purchasing TOA's IP Horn Speaker.
Please carefully follow the instructions in this manual to ensure long, trouble-free use of your equipment.

TABLE OF CONTENTS

1. SAFETY PRECAUTIONS	2
2. SUMMARY AND FEATURES	5
3. ABOUT SECURITY MEASURES	5
4. NOMENCLATURE AND FUNCTIONS	6
5. HANDLING PRECAUTIONS	8
6. INSTALLATION PRECAUTIONS	8
7. INSTALLATION	9
7.1. Attaching the Rear Cover	9
8. CONNECTIONS	10
8.1. Network Connection	10
8.2. Connections to Control Input and Output Terminals	11
8.3. Removable Terminal Plug Connections	12
9. SETTINGS	13
9.1. System Settings Summary	13
9.2. System Requirements	13
9.3. Connection with Browser	14
10. INITIALIZATION OF SETTINGS	15
11. CAUTIONS REGARDING THE AVC/H.264 PATENT LICENSE	16
12. OPEN SOURCE SOFTWARE	16
13. DIMENSIONAL DRAWINGS	17
14. SPECIFICATIONS	18
Accessories	18
Optional products	18

1. SAFETY PRECAUTIONS

- Before installation or use, be sure to carefully read all the instructions in this section for correct and safe operation.
- Be sure to follow all the precautionary instructions in this section, which contain important warnings and/or cautions regarding safety.
- After reading, keep this manual handy for future reference.



WARNING

Indicates a potentially hazardous situation which, if mishandled, could result in death or serious personal injury.



CAUTION

Indicates a potentially hazardous situation which, if mishandled, could result in moderate or minor personal injury, and/or property damage.



WARNING

- Tighten each nut and bolt securely. Ensure that the bracket has no loose joints after installation to prevent accidents that could result in personal injury.

When Installing the Speaker

- Install the speaker only in a location that can structurally support the weight of the speaker and the mounting bracket. Doing otherwise may result in the speaker falling down and causing personal injury and/or property damage.
- When installing the speaker in the snowy area, take appropriate measures to prevent snow from lying on the speaker. If the snow lies on the speaker, the speaker may fall, causing personal injuries.
- Do not use other methods than specified to mount the bracket. Extreme force is applied to the speaker and the speaker could fall off, possibly resulting in personal injuries.
- Attach the safety wire to the speaker. If not attached, the speaker could fall off, resulting in personal injury.
- Use nuts and bolts that are appropriate for the ceiling's or wall's structure and composition. Failure to do so may cause the speaker to fall, resulting in material damage and possible personal injury.
- Use the specified mounting bracket in combination. Doing otherwise may cause the speaker or component to fall off, resulting in personal injury.
- Do not mount the speaker in locations exposed to constant vibration. The mounting bracket can be damaged by excessive vibration, potentially causing the speaker to fall, which could result in personal injury.
- Do not use anti-rust lubricant. If it contacts resin or rubber parts, they could deteriorate and cause the speaker to fall, possibly resulting in personal injury.

When the Speaker is in Use

- Should the following irregularity be found during use, immediately cut off the power supply from a PoE+ or PoE switching hub and contact your nearest TOA dealer. Make no further attempt to operate the speaker in this condition as this may cause fire or electric shock.
 - If you detect smoke or a strange smell coming from the speaker
 - If water or any metallic object gets into the speaker

- If the speaker falls, or the speaker case breaks
 - If the LAN cable is damaged (exposure of the core, disconnection, etc.)
 - If it is malfunctioning (no tone sounds)
- To prevent a fire or electric shock, never open nor remove the speaker case as there are high voltage components inside the speaker. Refer all servicing to qualified service personnel.
 - Do not touch the speaker and LAN cable during thunder and lightning, as this may result in electric shock.
 - To prevent the electromagnetic wave interference from badly influencing medical equipment, make sure to switch off the speaker's power when placing it in close proximity to the medical equipment.

CAUTION

When Installing the Speaker

- Avoid installing the speaker in humid or dusty locations, in locations exposed to the direct sunlight, near the heaters, or in locations generating sooty smoke or steam as doing otherwise may result in fire or electric shock.

When the Speaker is in Use

- Avoid touching the speaker's sharp metal edge to prevent injury.
- Do not operate the speaker for an extended period of time with the sound distorting. Doing so may cause the connected speakers to heat, resulting in a fire.
- Have the speaker checked periodically by the dealer from where it was purchased. Failure to do so may result in corrosion or damage to the speaker or its mounting bracket that could cause the speaker to fall, possibly causing personal injury.



The IP-A1SC15 IP horn speaker is capable of delivering extremely high volume sound output. Therefore, close proximity to the speaker over time could present the danger of hearing impairment. Be sure to follow the instructions below when conducting performance tests:

- Turn down the sound volume before adjusting the volume.
- Do not position one's ear close to the speaker.
- Point the speaker in a direction where no people are present.
- Avoid listening to high-volume output for prolonged periods of time.

FCC REQUIREMENTS

Note

This equipment has been tested and found to comply with the limits for a Class A digital device, pursuant to Part 15 of the FCC Rules. These limits are designed to provide reasonable protection against harmful interference when the equipment is operated in a commercial environment. This equipment generates, uses, and can radiate radio frequency energy and, if not installed and used in accordance with the instruction manual, may cause harmful interference to radio communications.

Operation of this equipment in a residential area is likely to cause harmful interference in which case the user will be required to correct the interference at his own expense.

Modifications

Any modifications made to this device that are not approved by TOA Corporation may void the authority granted to the user by the FCC to operate this equipment.

Warning: Operation of this equipment in a residential environment could cause radio interference.

This equipment is not suitable for use in locations where children may be present.

2. SUMMARY AND FEATURES

The IP-A1SC15 IP horn speaker is equipped with a built-in power amplifier and sound source memory. It can be connected to and used over a local network.

- Power may be supplied by way of PoE+ or PoE switching hubs.
- Full compatibility with international IP66 waterproof enclosure standards ensures that the speaker can be used in a wider range of temperatures and weather conditions, realizing excellent environmental performance.
- The IP horn speaker is compatible with the following broadcasting modes:

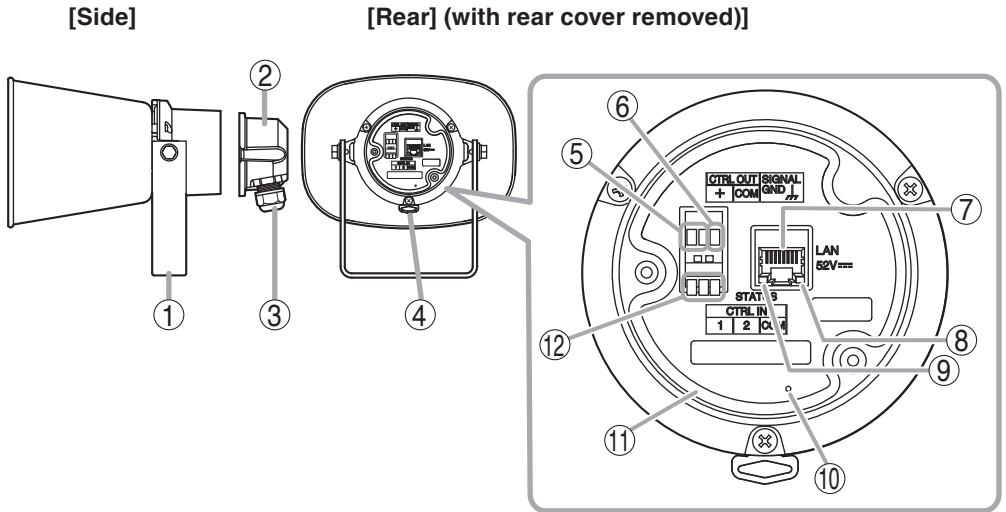
Internal sound source broadcasting mode	Enables broadcast of up to 20 internal sound source files by means of control input or Remote API (HTTP).
VMS broadcasting mode	Enables backchannel audio broadcast from the VMS (Video management system) software using the common protocol for IP cameras.
SIP broadcasting mode	Enables SIP broadcasts from any voice communications device that utilizes the SIP protocol, such as SIP or IP telephone (IP-PBX) systems.
Multicast broadcasting mode	Allows up to 20 multicast ports to be set up, for 20 multicast audio stream paging groups.

- Orders of priority can be set among the various broadcasting modes, meaning higher priority broadcasts can interrupt and override lower priority broadcasts.
- Since the speaker is equipped with individual offset adjustable volumes for each broadcasting modes and patterns (internal sound source), actual broadcasting volume can be normalized or optimized.
- Broadcasts can be controlled using Remote API or control inputs from connected external equipment.
- Connected external equipment can be controlled by control outputs in synchronization with speaker broadcasts.

3. ABOUT SECURITY MEASURES

- Ensure that sufficient security measures are taken on the customer's own responsibility.
- TOA Corporation takes no responsibility for damage or loss caused by security-related problems, such as illegal access.
- To help prevent illegal access to the speaker, be sure to change the user ID and password from those used for initial setup. For setting methods and other details, please refer to the separate setup manual which can be downloaded from the TOA DATA Library (<https://www.toa-products.com/international/>).
- Take utmost care in the management of the speaker's communications password.

4. NOMENCLATURE AND FUNCTIONS



1. Mounting bracket

Used to securely mount the speaker to a wall or ceiling.

2. Rear cover (accessory)

This weatherproof cover protects the cable connection parts from the elements.

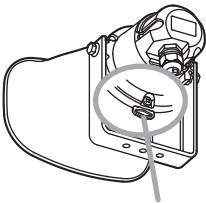
3. Sealing nut

Functions as a weatherproof cable inlet.

4. Safety wire attachment ring

Used as an attachment point for safety wire to prevent the speaker from accidentally falling.

(See "INSTALLATION PRECAUTIONS" on p. 8.)



Safety wire attachment ring

5. Control output terminals

Allows control of external equipment in synchronization with speaker operation.

6. Functional ground terminal

If excessive noise is produced when the speaker is connected to external equipment, connect this terminal to the external equipment's functional ground terminal, potentially minimizing the noise level.

Note

This terminal is not for protective ground.

7. LAN port

Connect to a PoE+/PoE switching hub using a LAN cable.

Tip

Amplifier Rated Output is as follows.

- 15 W at PoE+ powered
- 8 W at PoE powered

8. LINK/ACT indicator (green)

Flashes when data is being sent or received over a network.

9. Status indicator (orange)

Indicates the speaker's operating status.

Speaker Operation	Status Indicator
System startup	Flashing twice
Broadcast standby	Continuously lit
Broadcasting	Continuously lit
System mute*	Flashing quickly
Initialization or firmware updating	Flashing slowly

* System mute is a state in which this speaker is muted by the control from the transmitting device.

10. Reset key

The speaker begins to restart when this key is clicked.

Hold down this key until the Status indicator (9) flashes slowly to initialize the speaker's settings.

(See "INITIALIZATION OF SETTINGS" on p. 15.)

11. Ring gasket

Prevents water from getting inside the speaker's rear cover.

12. Control input terminals

Allow input of control signals from connected external equipment to enable output of internal sound source files or make calls to SIP devices.

5. HANDLING PRECAUTIONS

- Please apply the latest firmware version to this product. The latest version is available at the TOA DATA Library (<https://www.toa-products.com/international/>).
- As this product is IP-based, a slight time lag between actual and broadcast may happen.
- Broadcast audio may sometimes break up due to packet loss or network failure.
- Periodic inspection and manual rebooting are needed to extend the product life.
- This product may reboot automatically to keep the stable operation.

6. INSTALLATION PRECAUTIONS

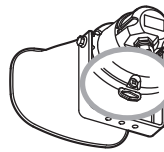
CAUTION

Observe the following instructions when attaching the safety wire. Failure to do so could result in the speaker falling, potentially resulting in personal injury.

- Select a safety wire that is strong enough to withstand the total weight of the speaker being mounted.
- Use a wire with a diameter larger than 1.5 mm or 0.06".
- Attach the safety wire so that it does not become slack.

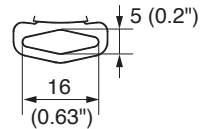
Notes

- Since safety wire is not supplied with the IP horn speaker, be sure to prepare it separately.
- When attaching the safety wire, be sure that it is fastened securely to the safety wire attachment ring.

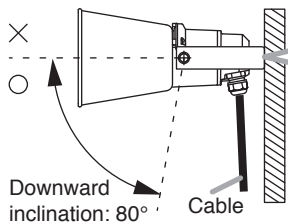


Safety wire attachment ring

Unit: mm

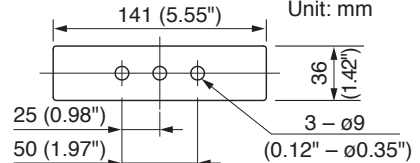


Mount the speaker so that its downward inclination is within 80° of horizontal, and the cable inlet is facing downward, as shown in the figure below.



[Mounting bracket dimensional drawing]

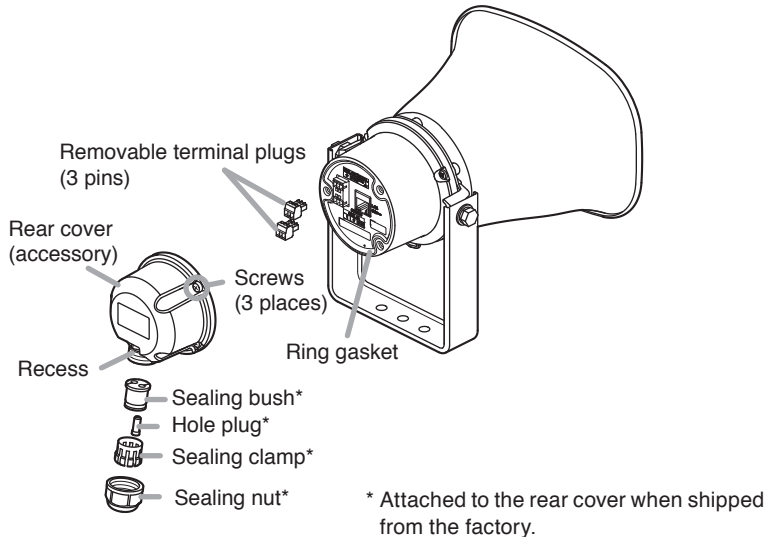
Unit: mm



7. INSTALLATION

7.1. Attaching the Rear Cover

[Before attachment]



Notes

- To ensure complete weatherproofing, be sure that the following specifications of cable are used for both the LAN cable and the control input and output cable:
 Cable diameter: $\varnothing 4.5$ to 5.2 mm or $\varnothing 0.18$ " to 0.2 "
 Cable type: Round (not compatible with flat or spiral type cables.)
- The recess is 14.3 mm or 0.56 " in diameter. Use a LAN cable with an RJ45 plug that can pass through this recess.

[Installation procedure]

The rear cover is designed to meet specific weatherproofing regulations (IP66 enclosure standards). During installation, follow the below procedure to ensure that weatherproofing performance is not impaired.

Step 1. Turn the sealing nut counterclockwise to detach it from the rear cover.

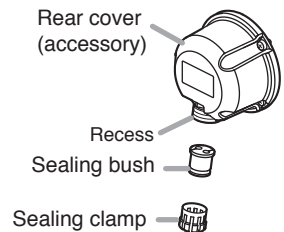


Step 2. Remove both the sealing clamp and the sealing bush from the recess in the cover.

Tip

Use the hole plug with the sealing bush as follows:

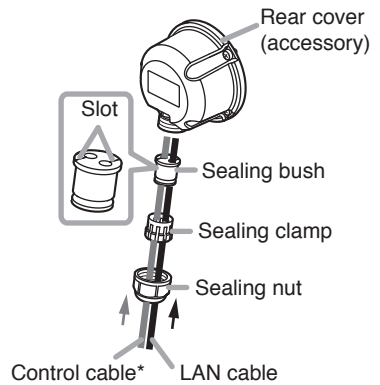
If using the control cable in Step 3	If NOT using the control cable in Step 3
Remove the plug from the sealing bush.	Leave the plug inserted in the sealing bush.
<p>Sealing bush</p> <p>Hole plug</p>	



Step 3. Slide each part over the ends of the LAN cable and control cable in the order shown in the figure at right.

Tip

Feed the cable ends through the sealing bush can be more easily done by pressing the cable into the slots in the bush.



Step 4. Feed the ends of both the LAN cable and the control cable through the recessed hole in the rear cover to connect them to the LAN port and terminals on the rear panel.

For connection method, see "Network Connection" mentioned below and "Connections to Control Input and Output Terminals" on the next page.

*Only when using the control functions

Step 5. Confirm that the ring gasket installed in the perimeter of the rear panel fits snugly in its groove.

Step 6. Attach the rear cover to the speaker using the 3 rear cover screws.

Step 7. Slide the sealing bush and sealing clamp up the cable(s) and reinsert them into the recess in the rear cover.

Step 8. Slide the sealing nut up the cable(s) and screw it securely into position. After tightening the nut firmly by hand, secure it by rotating another 90° (1/4 rotation) using a wrench.

Note

Take care not to overtighten the nut, as it could be damaged.

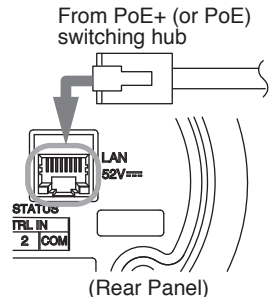
8. CONNECTIONS

8.1. Network Connection

Connect the IP horn speaker to the PoE+ or PoE switching hub using a LAN cable (straight UTP or STP cable, both rated at Category 5e or greater and fitted with RJ45 connectors). Power to the speaker is supplied by the PoE+ or PoE switching hub.

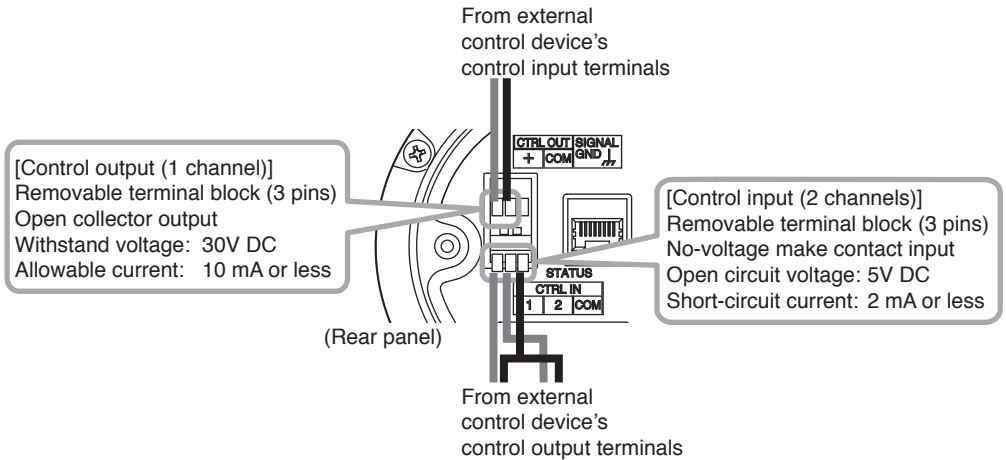
Compatible switching hubs:

Switching hubs conforming to PoE+ (IEEE802.3at Class 4) or PoE (IEEE802.3at Class 3) specifications.



8.2. Connections to Control Input and Output Terminals

Use the supplied removable terminal plugs (3 pins) for connection. Connect a control line from the external control device to the speaker's control input or control output terminal. For connection of the removable terminal plugs, see "Removable Terminal Plug Connections" on the next page.



The following functions can be assigned to the control input and control output terminals by browser settings:

Terminals	Assignable Functions
Control input terminals	<ul style="list-style-type: none"> • SIP device calls • Internal sound source broadcasts • Change the speaker volume (Mute or volume offset)
Control output terminals	<ul style="list-style-type: none"> • SIP broadcast in progress output • VMS broadcast in progress output • Multicast broadcast in progress output • Internal sound source broadcast in progress output

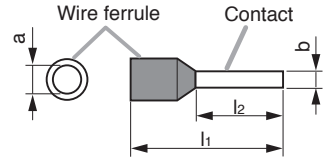
For settings, please refer to the separate setup manual.

The latest version of the setup manual is available on the TOA DATA Library (<https://www.toa-products.com/international/>).

8.3. Removable Terminal Plug Connections

Please note the following points when making connections to the control input or output terminals using the supplied removable terminal plugs:

- Do not tin stripped wire ends with solder.
Soldered wire ends will be crushed when the terminal plug screws are tightened, leading to higher contact resistance and potentially resulting in an abnormal rise in the temperature of the connected parts.
- Use AWG 28 – 22 wire ($\varnothing 0.32 - 0.64$ mm solid wire or multi-stranded wire with a cross-sectional area of $0.08 - 0.32$ mm²).
- Strip the wire end back about 7 mm (0.28").
- When connecting 2 wires or a signal cable to a single terminal, crimp them in an insulated (twin) wire ferrule to prevent their core wires from being separated from one another. Use a ferrule of the dimensions shown in the figure at right.



b: 0.8 – 1.1 mm (0.03" – 0.04")
l₂: 8 mm (0.31")

Note
Select dimensions "a" and "l₁" depending on the wires to be used.

[Plug Connection Procedure]

Step 1. Loosen the terminal screw and insert a wire.

Step 2. Tighten the screw firmly.

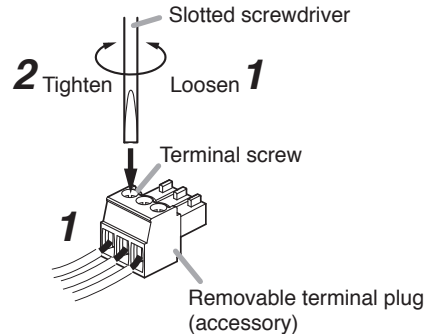
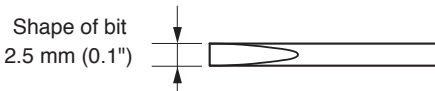
Note

Pull on the wire to ensure that it does not come off.

Step 3. Insert the plug into either the control input terminal or control output terminal.

Tip

Recommended slotted screwdriver is as follows.
Blade width: about 2.5 mm (0.1")



9. SETTINGS

9.1. System Settings Summary

The following settings can be performed using a PC browser connected to the same network as the speaker.

Setting Name	Setting Item
Status	Confirmation of current firmware version, network settings, volume setting
Network	Network settings such as the IP address
SIP	Settings of SIP connection enable/disable, SIP server address, authentication information, and audio codec
VMS Broadcasting	Settings of VMS connection enable/disable and authentication information, connection port settings
Multicast	Settings of multicast reception enable/disable, multicast address and port, and control output during multicast broadcast
Audio	Settings of speaker volume and input volume for individual broadcast classifications
Media	Uploading/downloading or deletion of sound source files such as messages to or from the internal memory
Pattern	Registration of sound source playback to be associated with events as patterns
Event	Settings of operations to be synchronized with the control input and control output
Priority	Settings of priority order for each broadcast mode; SIP broadcast, VMS broadcast, multicast broadcast and internal sound source broadcast
User	Changing username and password
Maintenance	Download and upload the configuration file, initialization, firmware update, hardware reboot, and downloading action logs
System	Date and time settings, NTP server settings, Time zone settings

For more information, please refer to the separate setup manual.

The latest version of the setup manual is available on the TOA DATA Library (<https://www.toa-products.com/international/>).

9.2. System Requirements

Connectable system requirements are as follows:

Display	Resolution: 1366 × 768 or greater
OS	Windows 10 Pro (64-bit), Windows 10 Home (64-bit), Windows 11 Pro, Windows 11 Home
Browser	Microsoft Edge, Google Chrome

Notes

- Windows and Microsoft Edge are registered trademarks of Microsoft Corporation of the United States in the United States and other countries.
- Google Chrome is a trademark of Google LLC of the United States in the United States and other countries.

9.3. Connection with Browser

9.3.1. Connection presets

The speaker is factory-preset as follows:

Username: admin
Password: guest
IP address: 192.168.14.1
Subnet mask: 255.255.255.0
Default gateway: 0.0.0.0

Before connecting a PC to the IP horn speaker and changing its setting, it will be necessary to set the PC's network settings so that it can operate on the same network as the IP horn speaker. Take care that no IP addresses are duplicated in the same network.

For example, if the IP horn speaker's IP address is 192.168.14.1, set the PC's IP address to 192.168.14.10.

9.3.2. Making connection

Notes

- Avoid simultaneously connecting to the IP horn speaker from multiple PCs.
- Avoid simultaneously connecting to the IP horn speaker from a single PC using multiple browsers.

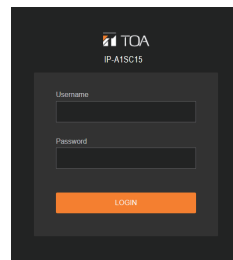
Step 1. Start the browser and enter the speaker's IP address in the address field.
The Login screen is displayed.

Step 2. Enter the username and password, and click the LOGIN button.
The Status screen is displayed, enabling a range of settings.

Note

For details regarding the setting method, please refer to the separate setup manual.

The latest version of the setup manual is available on the TOA DATA Library (<https://www.toa-products.com/international/>).

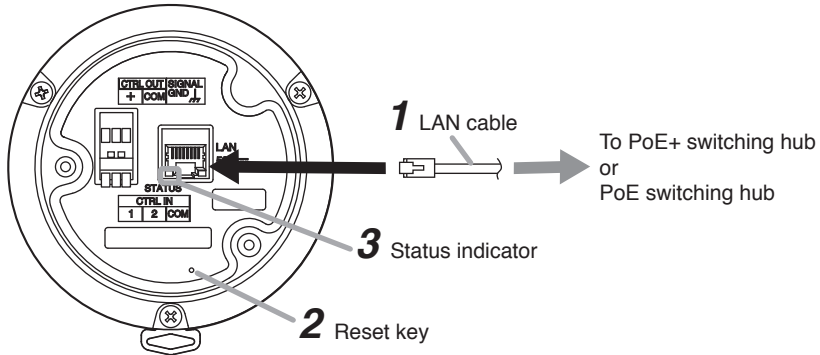


10. INITIALIZATION OF SETTINGS

Follow the procedure below to return all speaker settings to their default:

Tip

When initialized with the Reset key, the speaker's sound source files are left in "Media," not deleted. Initialization to factory defaults, including deletion of sound source files, should be performed using the browser settings menu.



Step 1. Connect the speaker PoE+ or PoE switching hub using a LAN cable. The speaker will be started.

Step 2. Hold down the Reset key located on the rear panel using a pointed tool. The speaker automatically restarts and settings initialization begins. Hold down the Reset key while the status indicator flashes quickly.

Tip

Clicking on the Reset key causes the speaker to be restarted. If pressure on the Reset key is released part way through the initialization process, only speaker restart will be performed, and the settings will not be initialized. To click on the Reset key, use a tool that is thinner than $\varnothing 1.5$ mm (0.06") and longer than 15 mm (0.59").

Step 3. When the status indicator flashes slower, release the reset key. When initialization is complete, the status indicator lights and all settings will be initialized to their default settings.

[Default Settings]

Username: admin
Password: guest
IP address: 192.168.14.1
Subnet mask: 255.255.255.0
Default gateway: 0.0.0.0

11. CAUTIONS REGARDING THE AVC/H.264 PATENT LICENSE

TOA's IP-A1SC15 IP horn speaker employs MPEG technology (AVC/H.264 Standard) regarding the handling of image information. TOA Corporation has received approval to use this technology from MPEG LA, LLC, the patent management group.

Please note that the use of this product is prohibited except the following cases:

The use of the product is intended for personal use of a user of the MPEG technology and also for non-profit use, which includes (i) video encoding conforming to the AVC/H.264 Standard (hereinafter referred to as "AVC/H.264") and/or (ii) personal use and decoding of AVC/H.264 encoded by an MPEG technology user engaged in non-profit activities and/or AVC/H.264 furnished by a video provider who is granted a license by MPEG LA, LLC.

Regarding use for sales promotion or commercial purposes, or additional licensing information, please contact MPEG LA, LLC (<https://www.mpegla.com>).

12. OPEN SOURCE SOFTWARE

This product uses software based on open source software license(s).

If you need further information about the original open source software including source code, please download it from the TOA DATA Library (<https://www.toa-products.com/international/>).

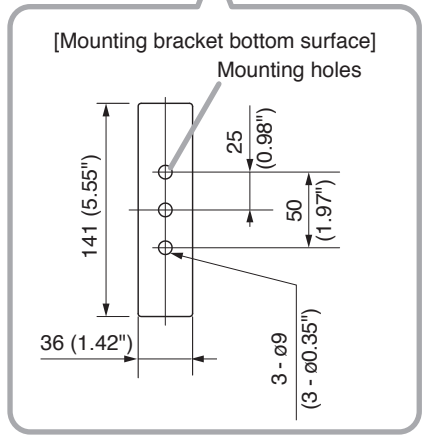
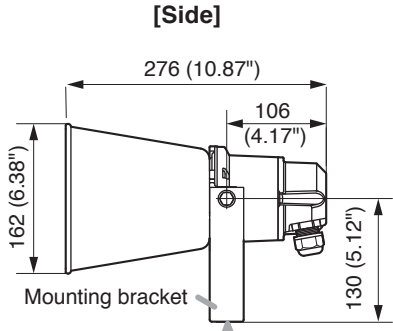
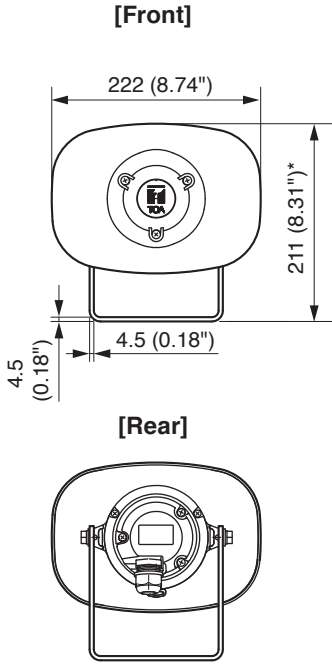
Please note that we cannot answer any questions about the contents of the original source code.

This product includes software developed by the OpenSSL Project for use in the OpenSSL Toolkit (<http://www.openssl.org/>).

This product includes cryptographic software written by Eric Young (ey@cryptsoft.com).

13. DIMENSIONAL DRAWINGS

Unit: mm (in)



* Figure is a reference value.

14. SPECIFICATIONS

The specifications of this product are available in TOA DATA Library (<https://www.toa-products.com/international/>).

Scan the QR Code at right with your mobile phone camera to access the WEB site and search for this product number (IP-A1SC15).



Note: "QR Code" is a registered trademark of DENSO WAVE INCORPORATED.

• Accessories

Rear cover 1
Removable terminal plug (3 pins) 2

• Optional products

Speaker mount bracket: SP-131, SP-201, SP-301
Pole band: YS-60B

Traceability Information for USA

Manufacturer:
TOA Corporation
7-2-1, Minatojima-Nakamachi, Chuo-ku, Kobe, Hyogo,
Japan

Authorized representative:
TOA Electronics, Inc.
1 Harmon Plaza, Suite 700 Secaucus,
New Jersey 07094,
USA